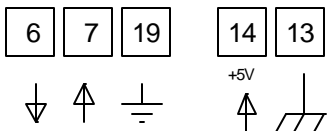


DUAL SINE SUBOCTAVE
-1 Octave

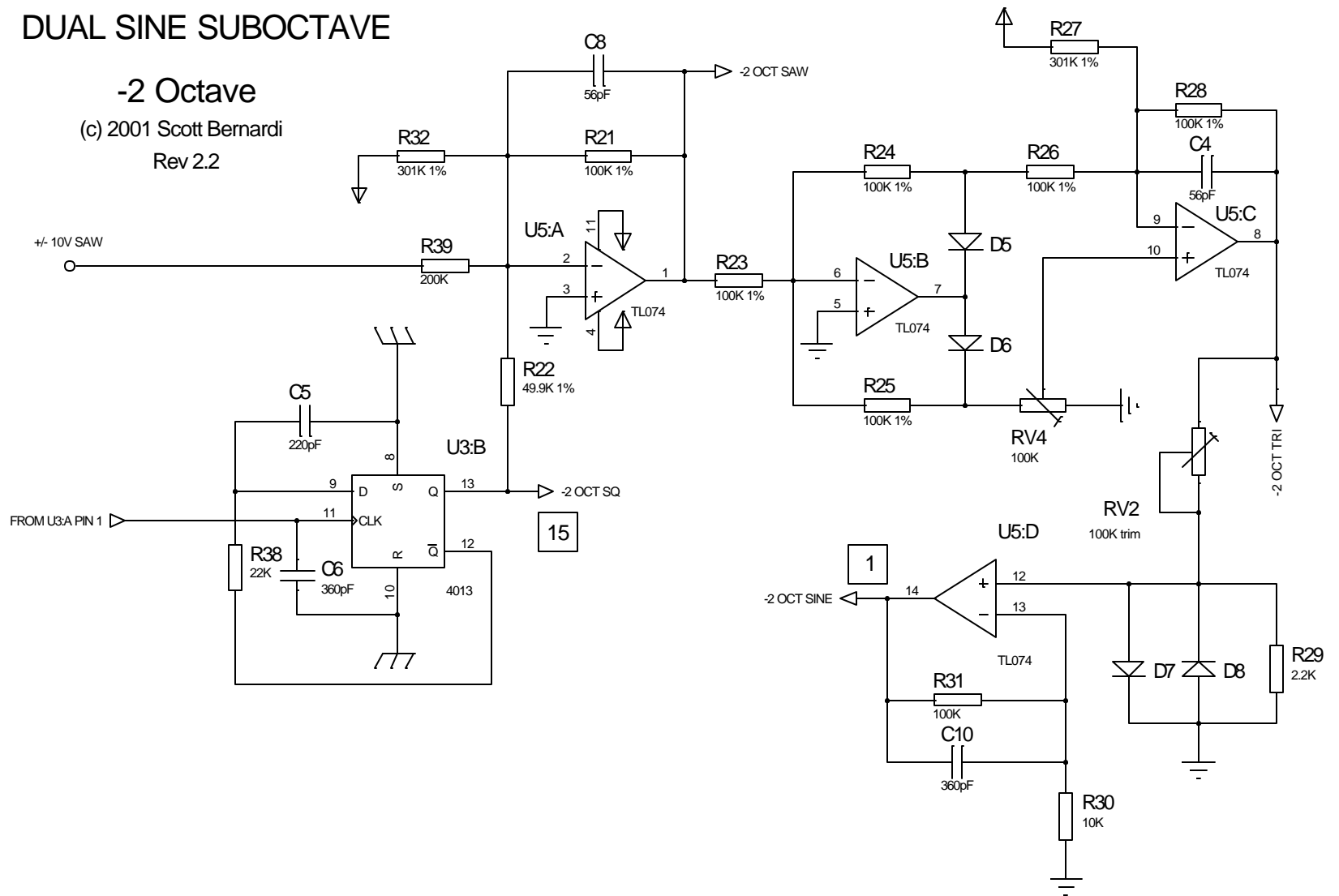
(c) 2001 Scott Bernardi
Rev 2.2



DUAL SINE SUBOCTAVE

-2 Octave

(c) 2001 Scott Bernardi
Rev 2.2



SINE SUBOCTAVE OUTPUT MIXER

(c) 2001 Scott Bernardi

