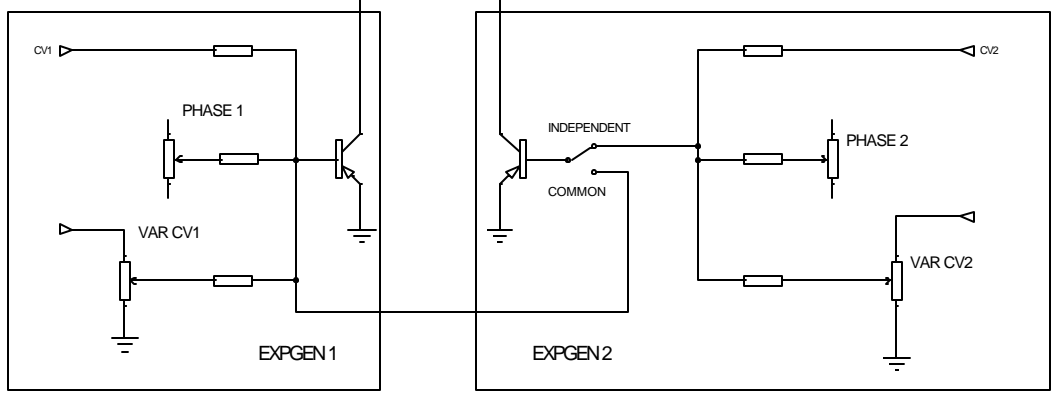
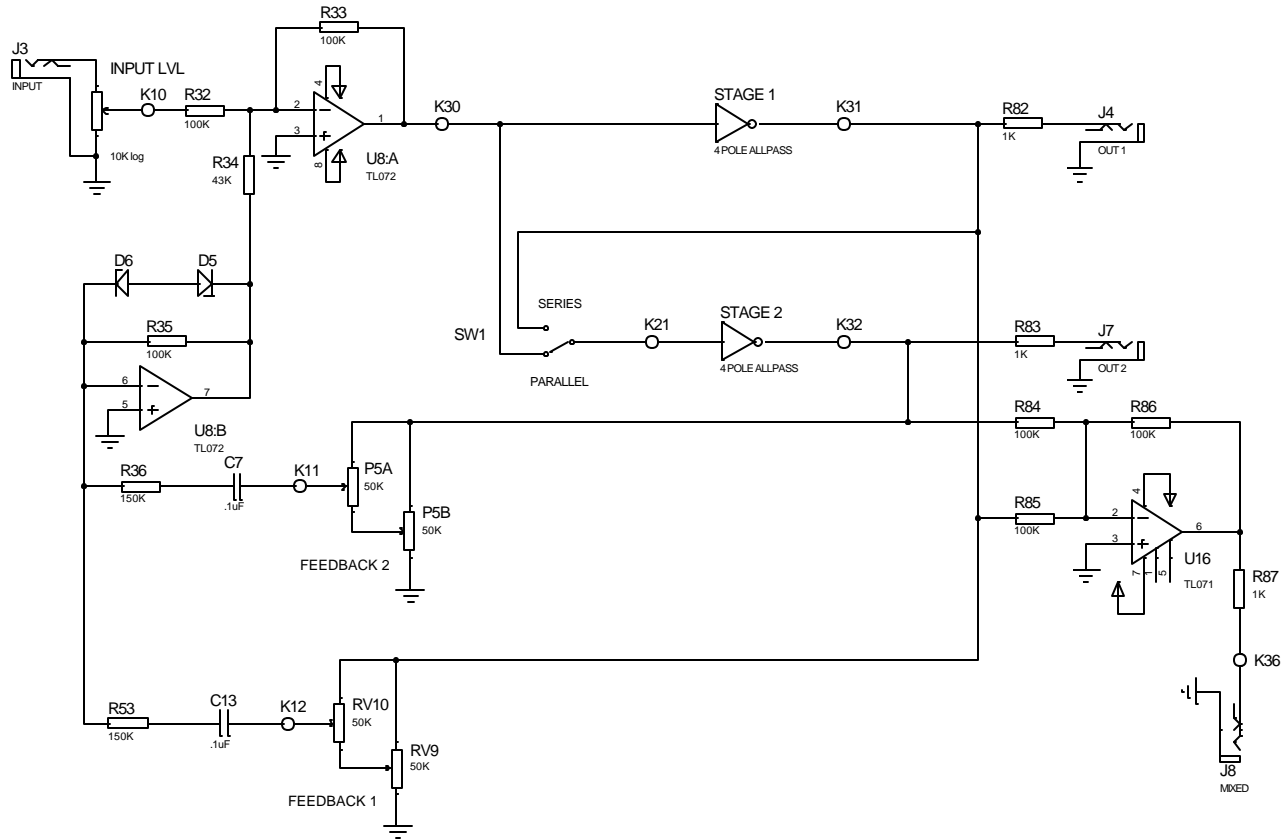


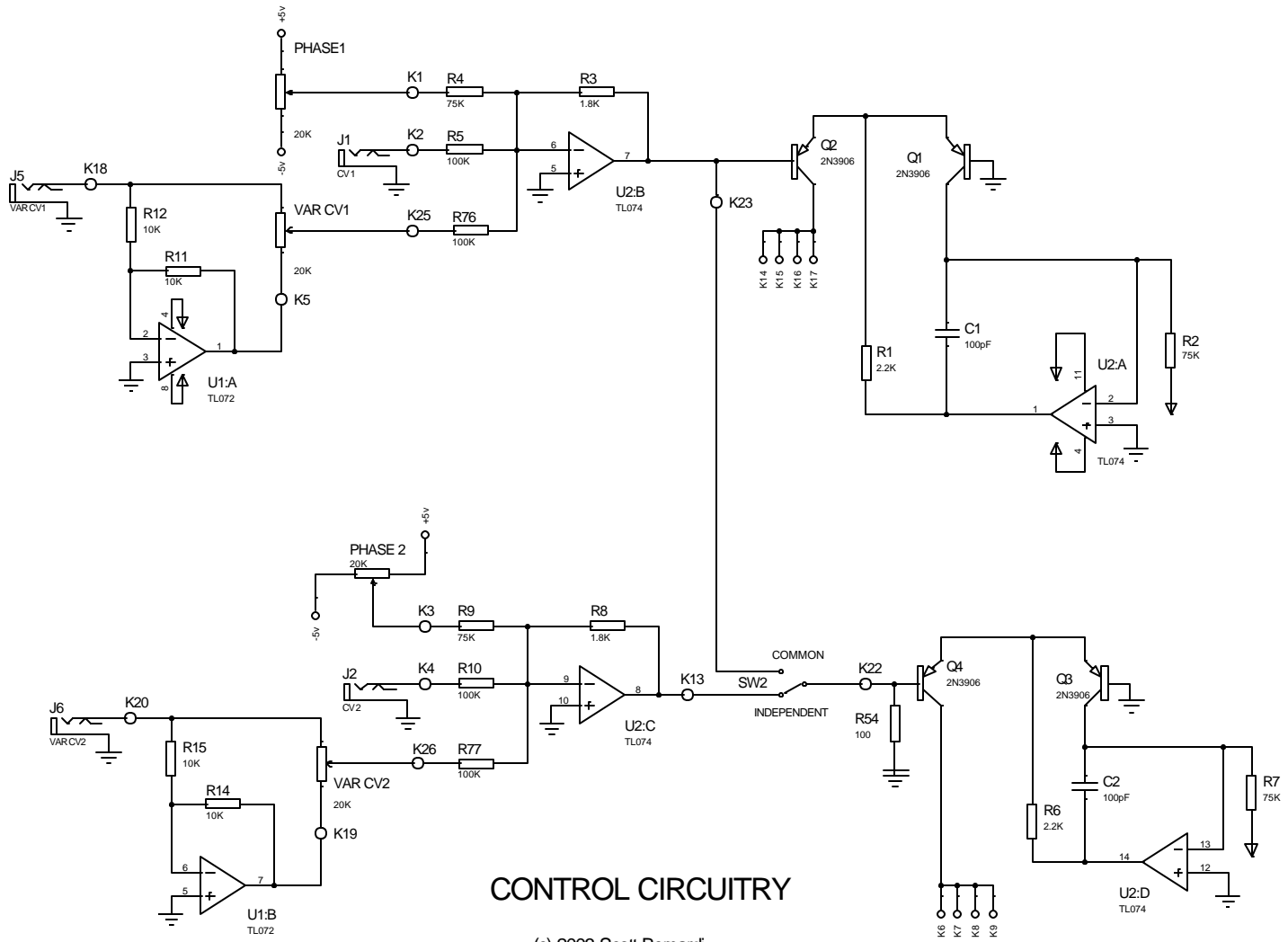
BLOCK DIAGRAM
DUAL PHASER
 (c) 2003 Scott Bernardi



INPUT AND MIX

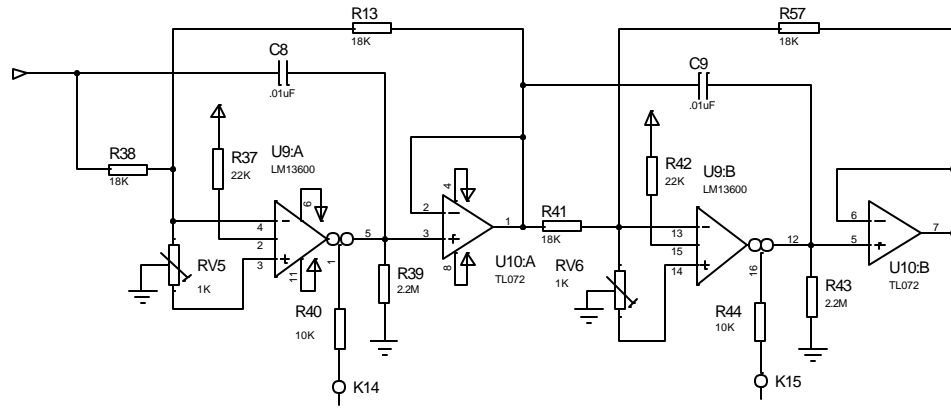
(c) 2003 Scott Bernardi





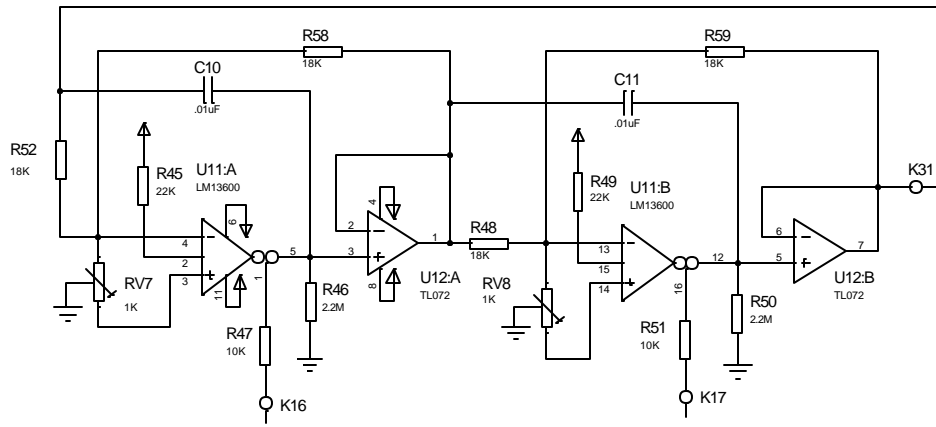
CONTROL CIRCUITRY

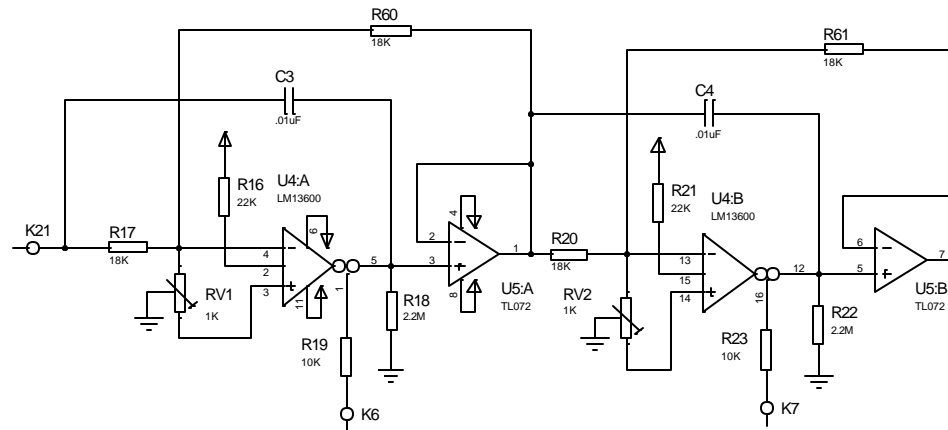
(c) 2003 Scott Bernardi



STAGES 1 - 4

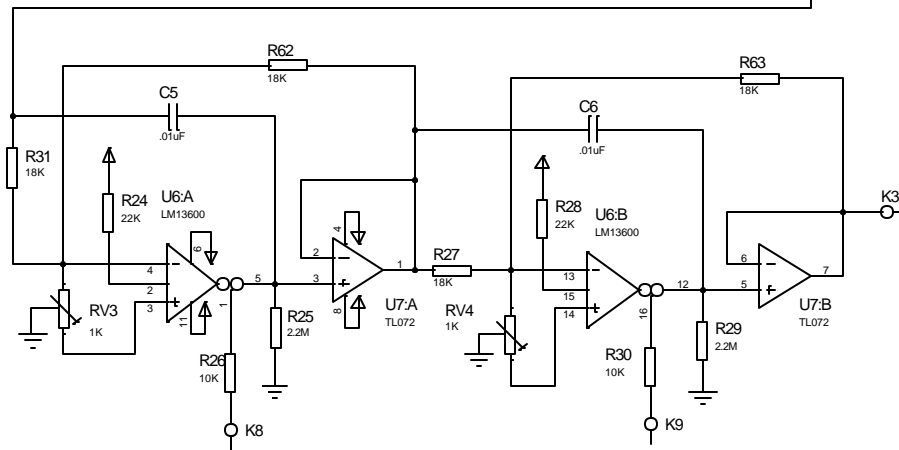
based on design by Jorgen Bergfors



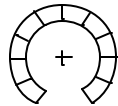


STAGES 4 - 8

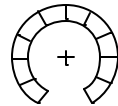
based on design by Jorgen Bergfors



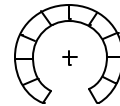
DUAL PHASER



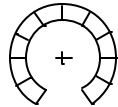
FEEDBACK 1



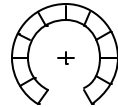
FEEDBACK 2



INPUT LVL



PHASE 1



PHASE 2



INPUT



OUT 1



OUT 2

OUTPUTS:
SERIES



PARALLEL



MIXED OUT

CV:
COMMON



CV 1



CV 2



INDEPENDENT