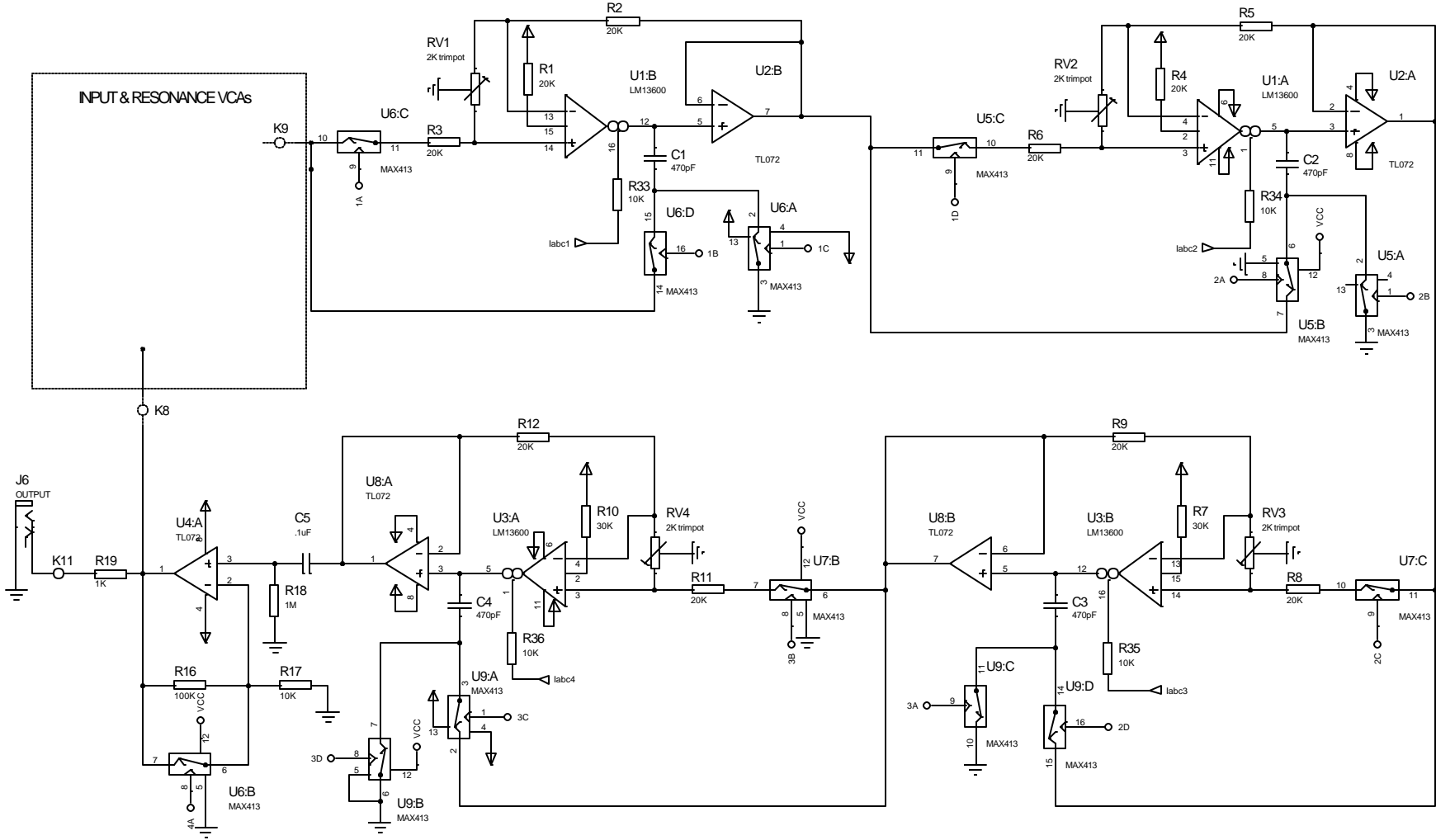


# 4 POLE MULTIMODE FILTER ver 2

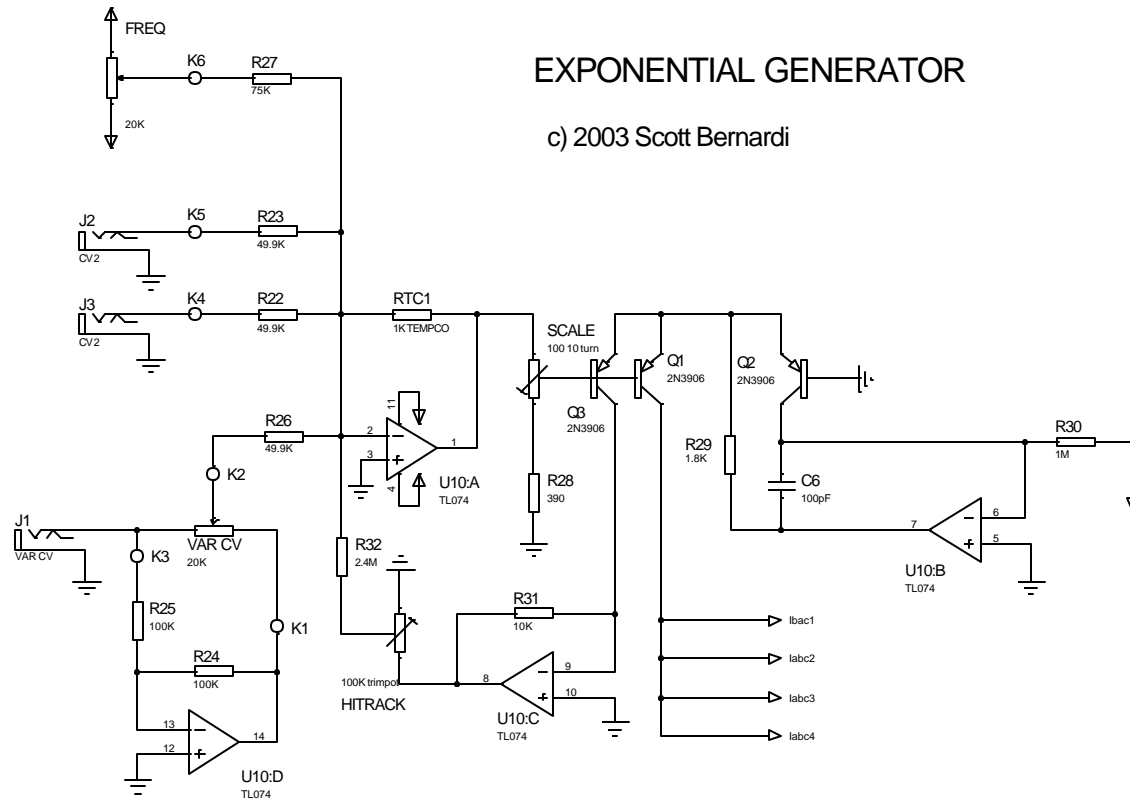
(c) 2003 Scott Bernardi





# EXPONENTIAL GENERATOR

c) 2003 Scott Bernardi



# GATE LOGIC

(c) 2003 Scott Bernardi

| LP | BP | HP | switch control | logic           |
|----|----|----|----------------|-----------------|
| 1  | 0  | 0  | 1A, 1C, 1D, 2B | LP              |
| 0  | 1  | 1  | 1B, 2A         | $\overline{LP}$ |
| 0  | 0  | 1  | 2D, 3C         | HP              |
| 1  | 1  | 0  | 2C, 3A, 3B, 3D | $\overline{HP}$ |
| 1  | 0  | 1  | 4A, 4B         | $\overline{BP}$ |
| 0  | 1  | 0  | 5A             | BP              |

